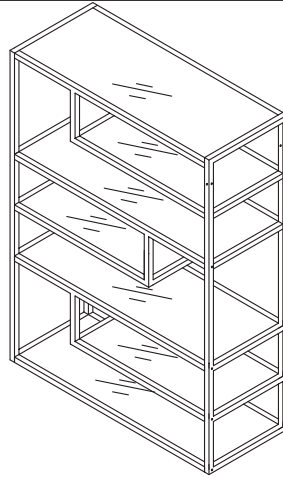







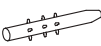

BIBLIOTHEQUE SMART XL

nordic • factory



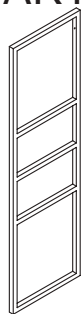
NOTE: DO NOT TIGHTEN SCREWS
UNTIL COMPLETELY ASSEMBLED!

HARDWARE LIST

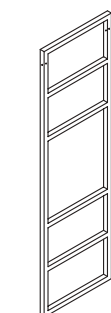
REF		HARDWARE NAME	QTY
A		M6x35	22 PCS
B		M6x12	6 PCS
C		∅6	6 PC
D		M4x15	50 PCS
E		M4x60	2 PCS
F		M5x40	2 PCS
G		M4	1 PC

PART LIST

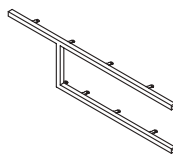
60 MIN



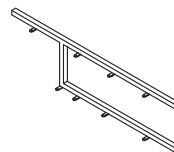
(1) X1PCS



(2) X1PCS



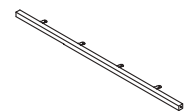
(3) X3PCS



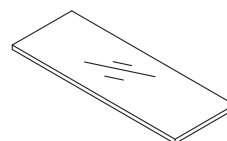
(4) X3PCS



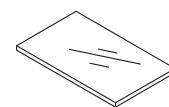
(5) X3PCS



(6) X2PCS

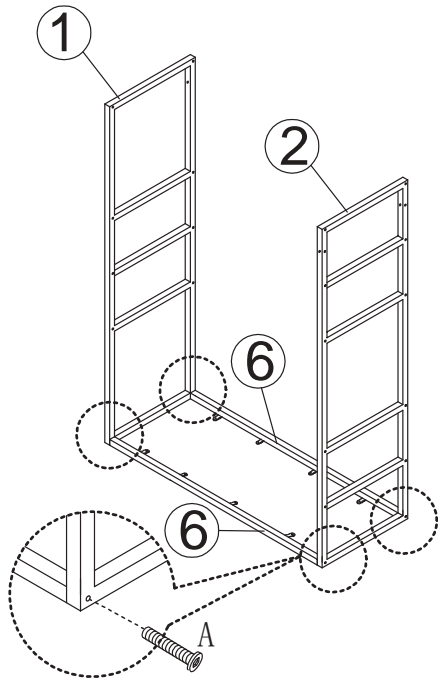


(7) X4PCS

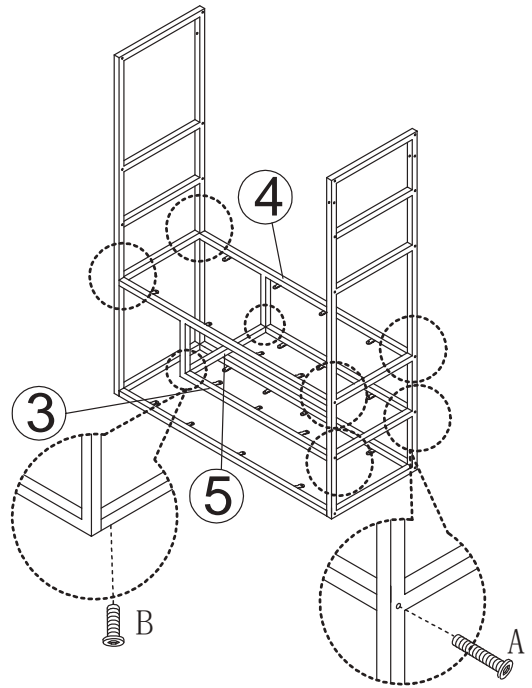


(8) X3PCS

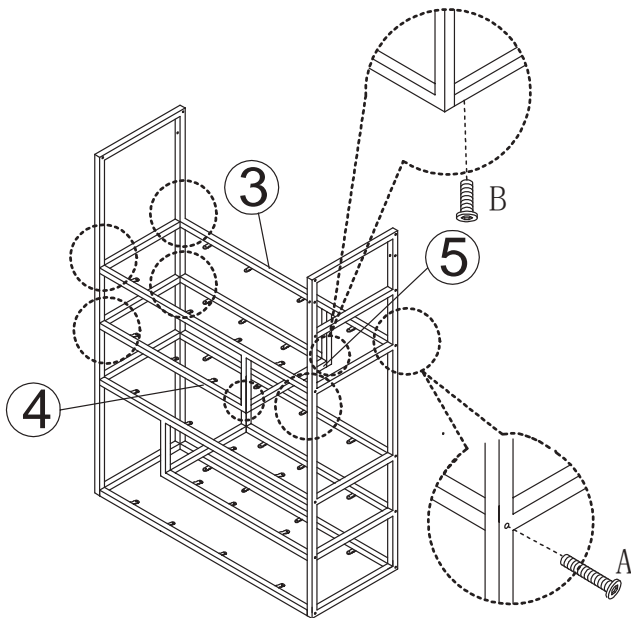
STEP 1



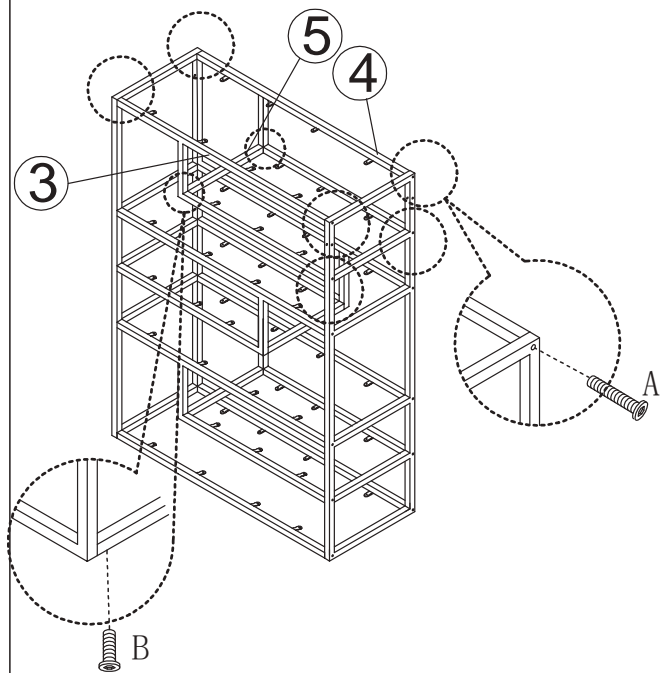
STEP 2



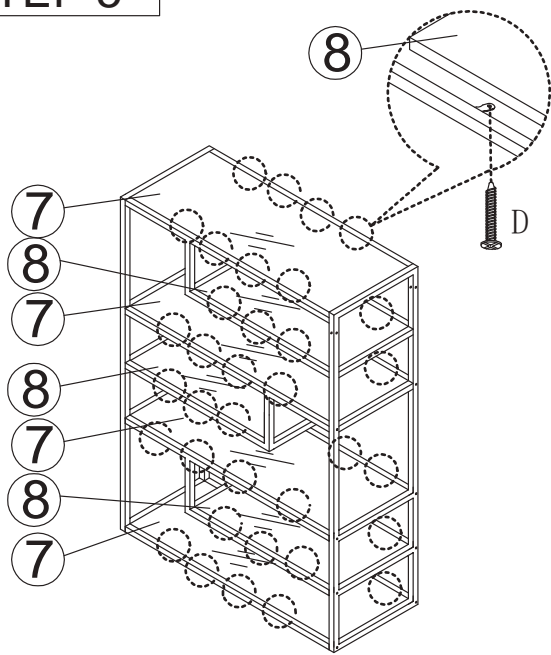
STEP 3



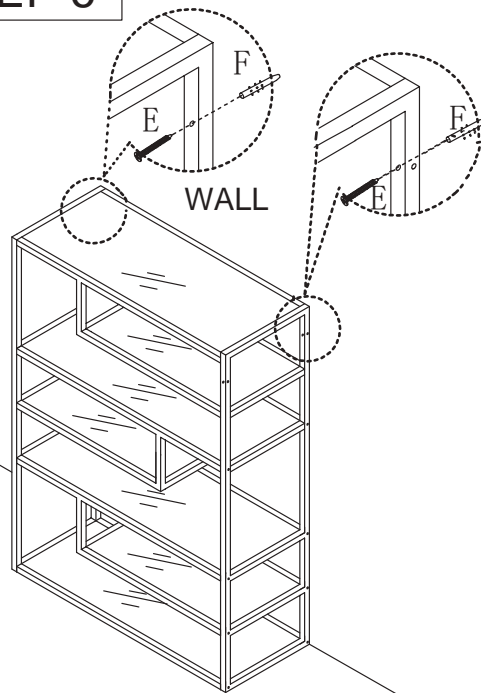
STEP 4



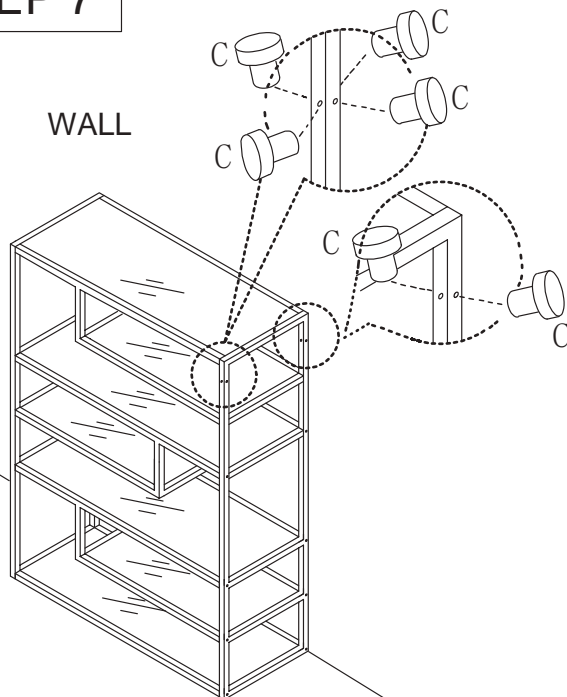
STEP 5



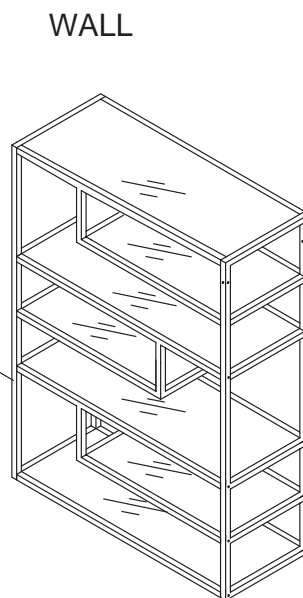
STEP 6



STEP 7



STEP 8



YOU CAN ALSO MOUNT THE RACK TO THE WALL FROM THE RIGHT SIDE TO CREATE A ROOM DIVIDER. PLEASE USE STOPS(C) FOR THE UNUSED HOLES.