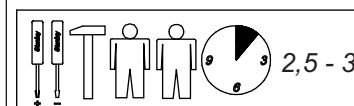
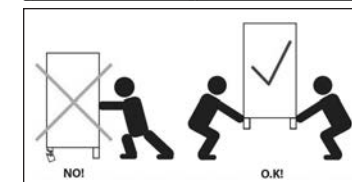
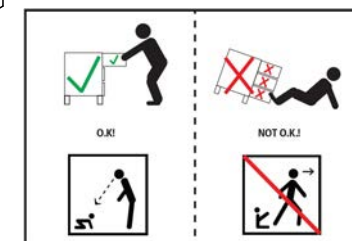
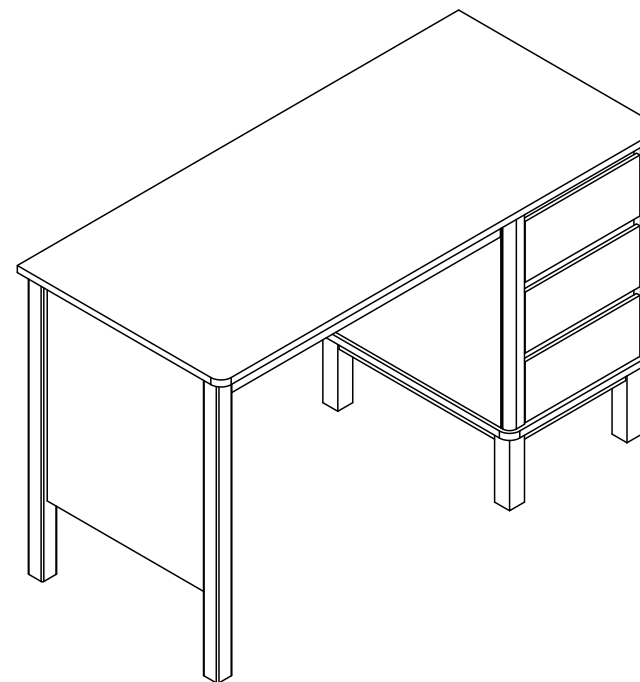


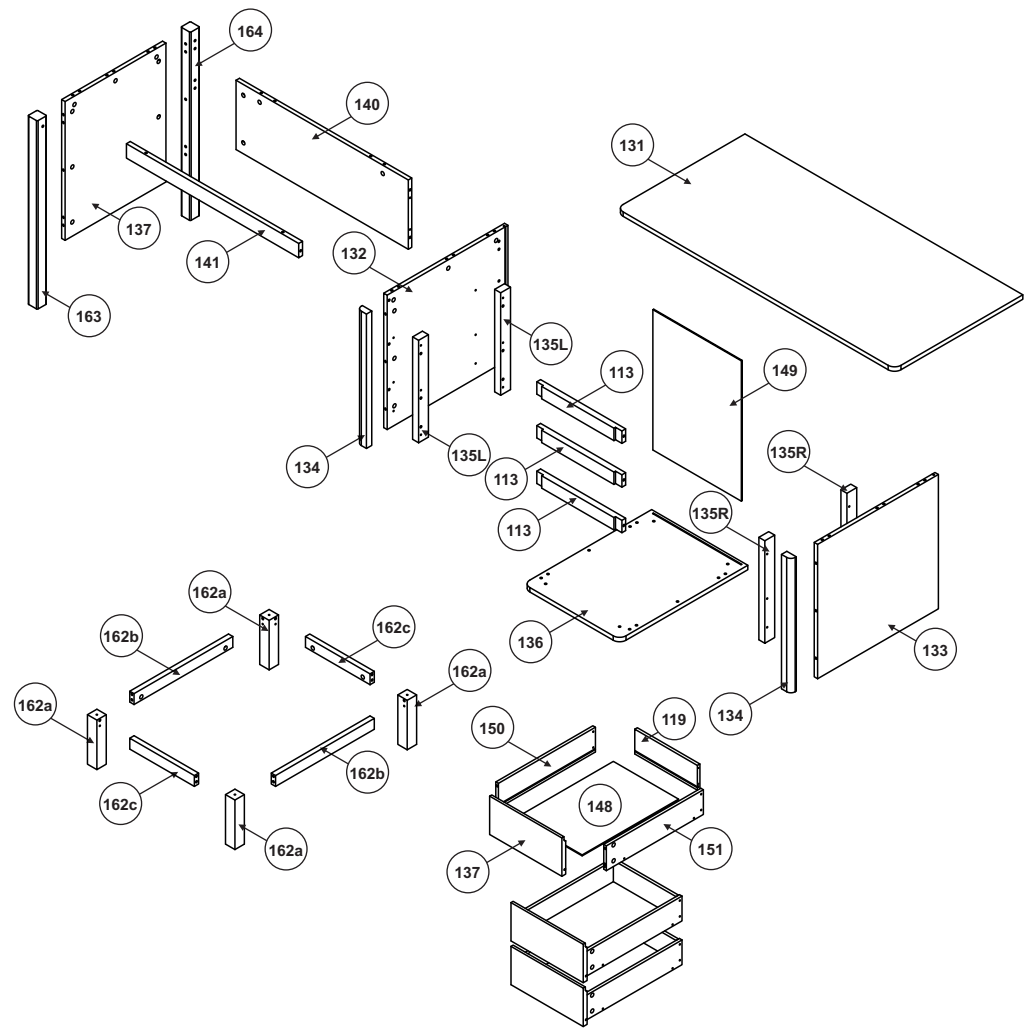
Instruction Manual







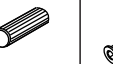





MIKA
WRITINGDESK
13222951



DISTRIBUTOR:
BOPITA
Energieweg 1, 6662 NS Elst
The Netherlands
www.bopita.com

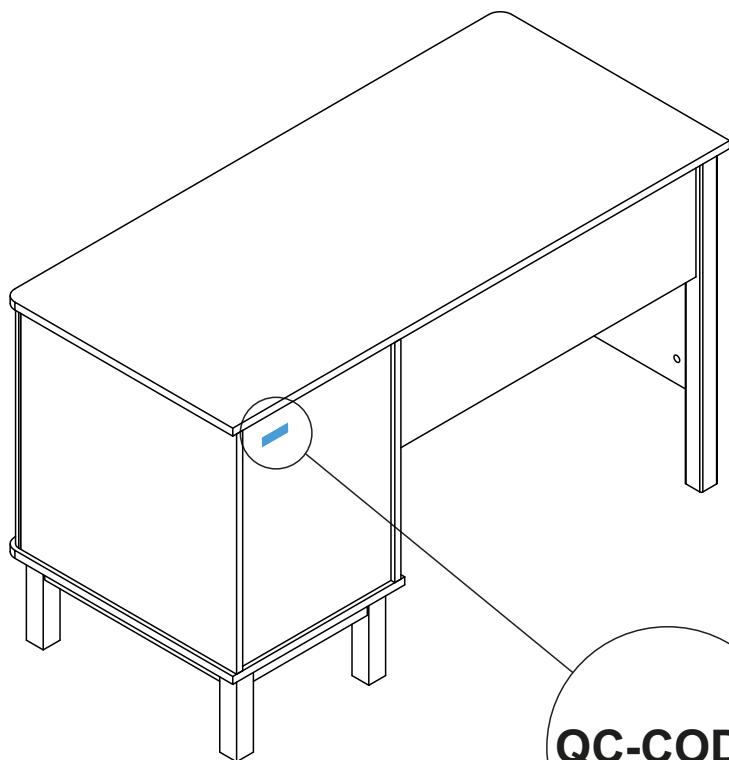
05.05.2022



EB L=450  x3	JD 4,5x40  x12	WA 4mm  x1	C 15x10  x55	B 34mm  x47	BA  x8	A 8x35  x31	FB 7x50  x12
FE 6,3x20  x12	H 6,0x10,5  x12	HB 5,8x8  x12	ID  x4	2			

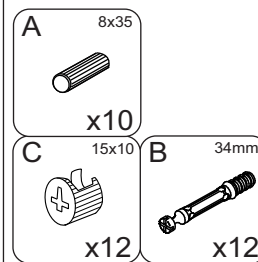
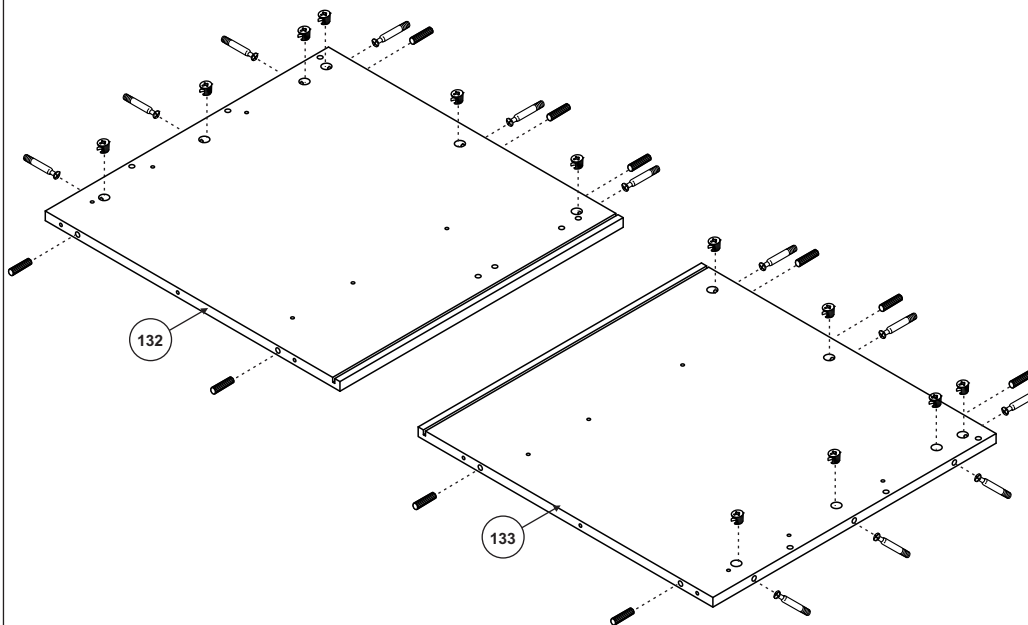
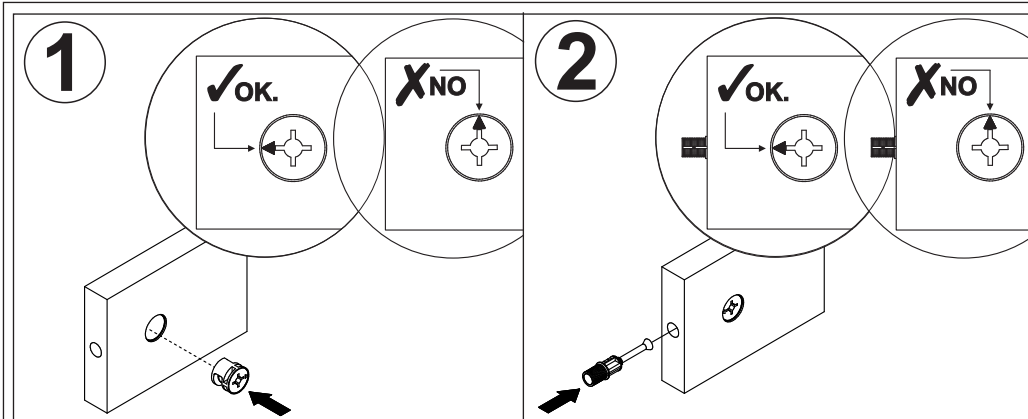
QC-CODE

- (UK) for service requests
- (NL) voor service vragen
- (FR) pour les demandes de service
- (DE) für Service Anfragen
- (ES) para consultas de servicio
- (IT) per richieste di assistenza

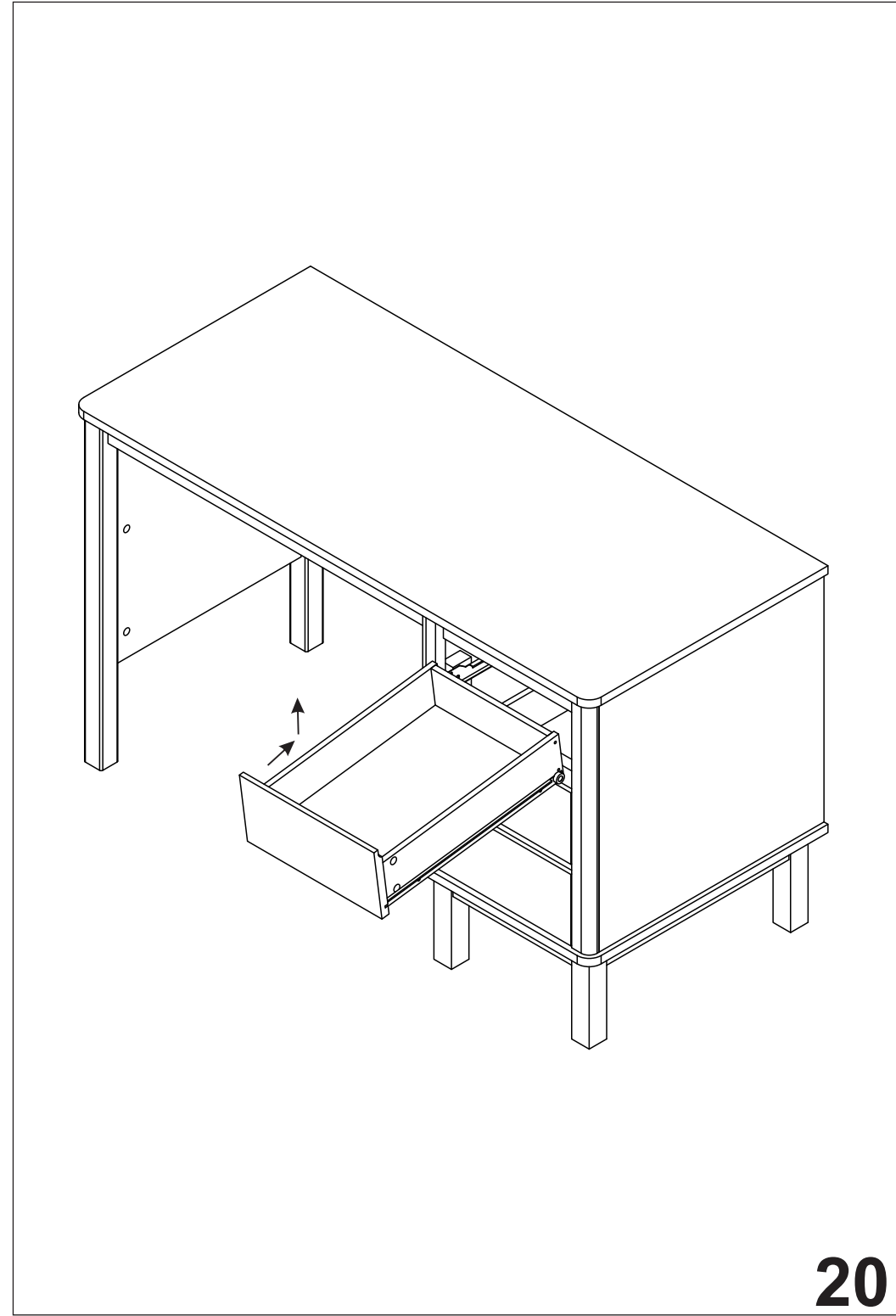
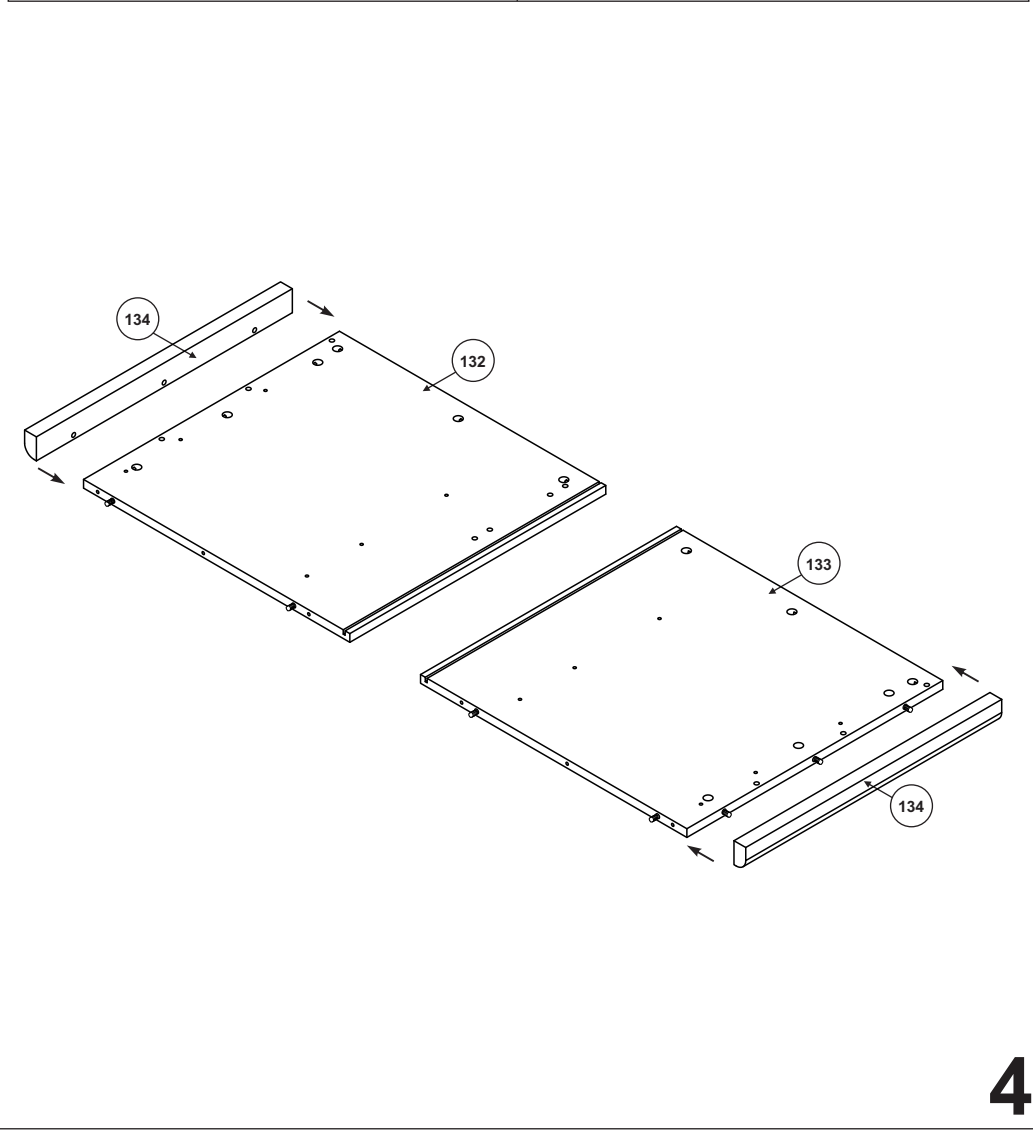
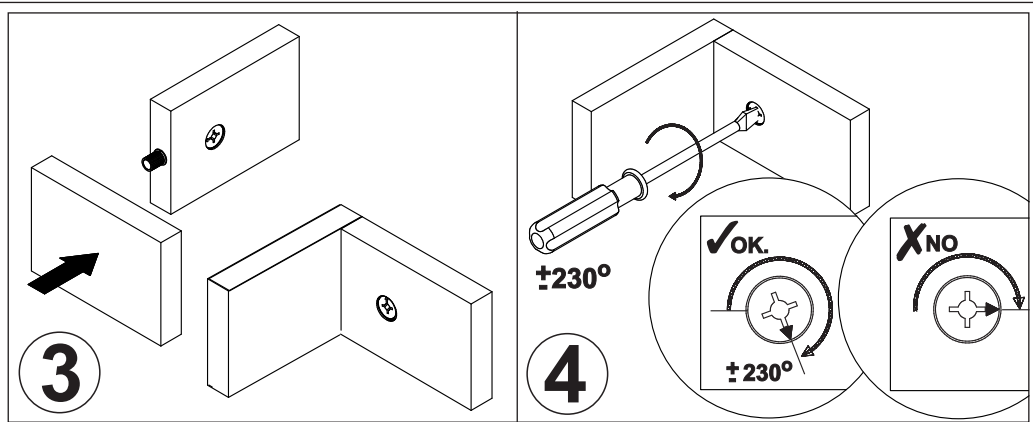


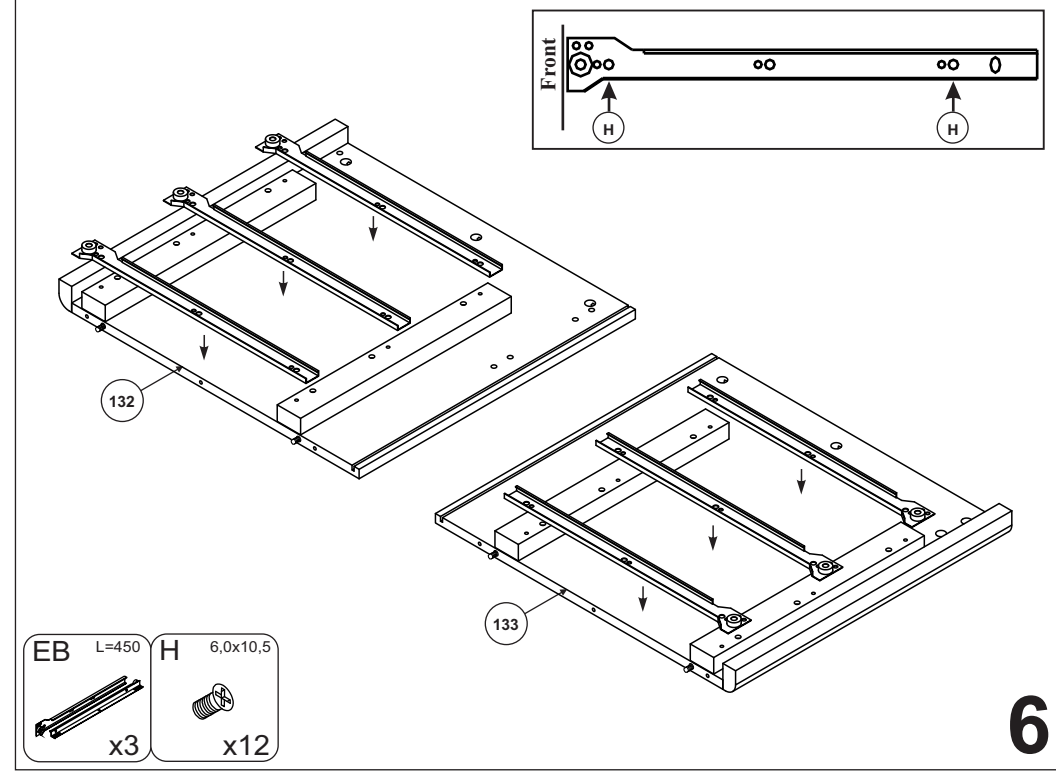
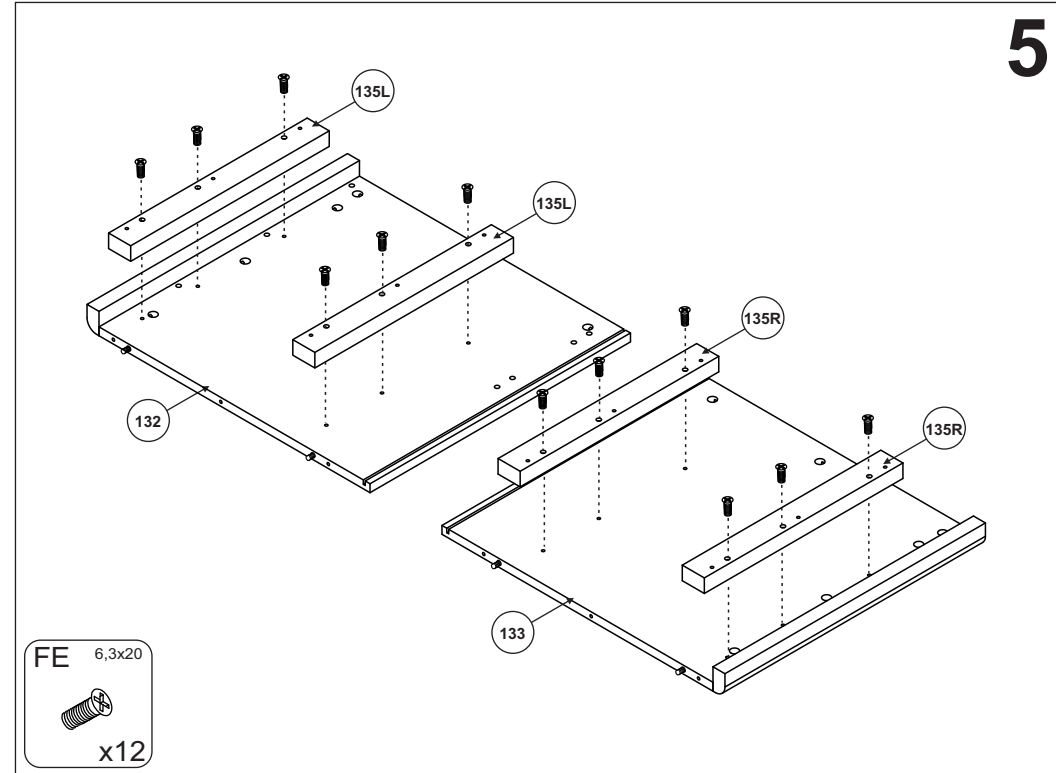
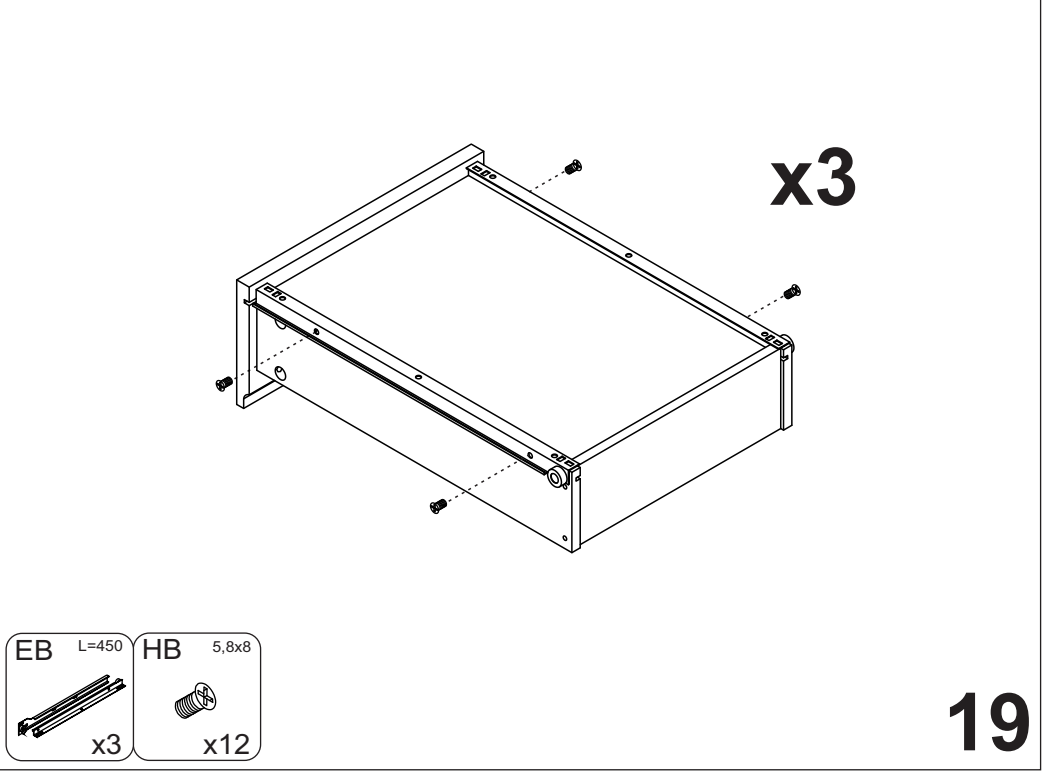
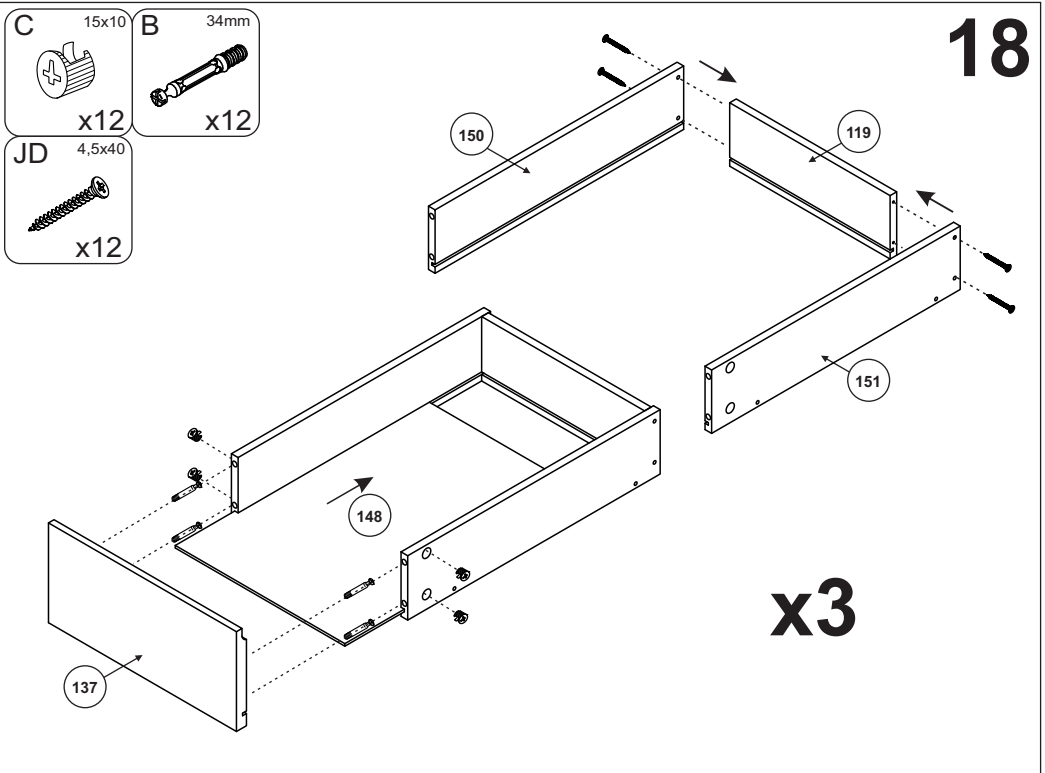
QC-CODE

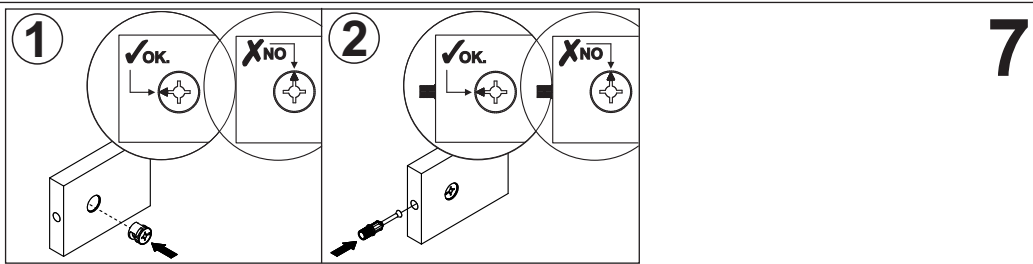
21



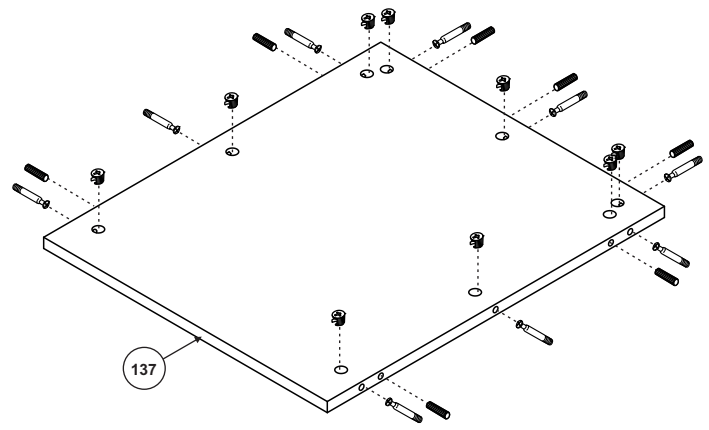
3



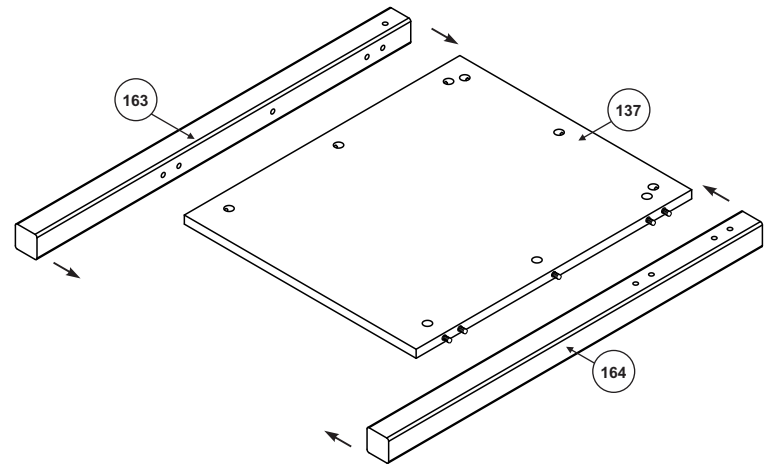
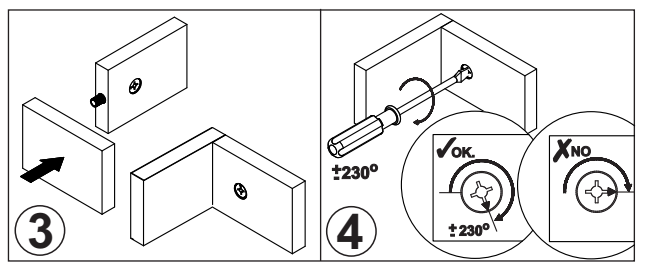




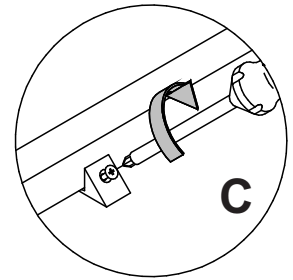
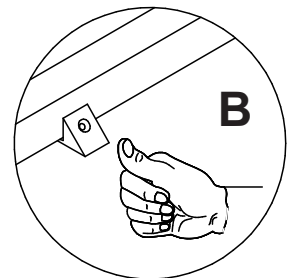
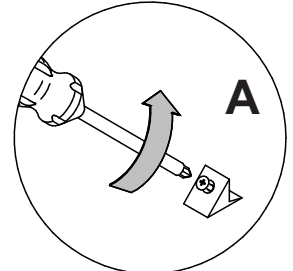
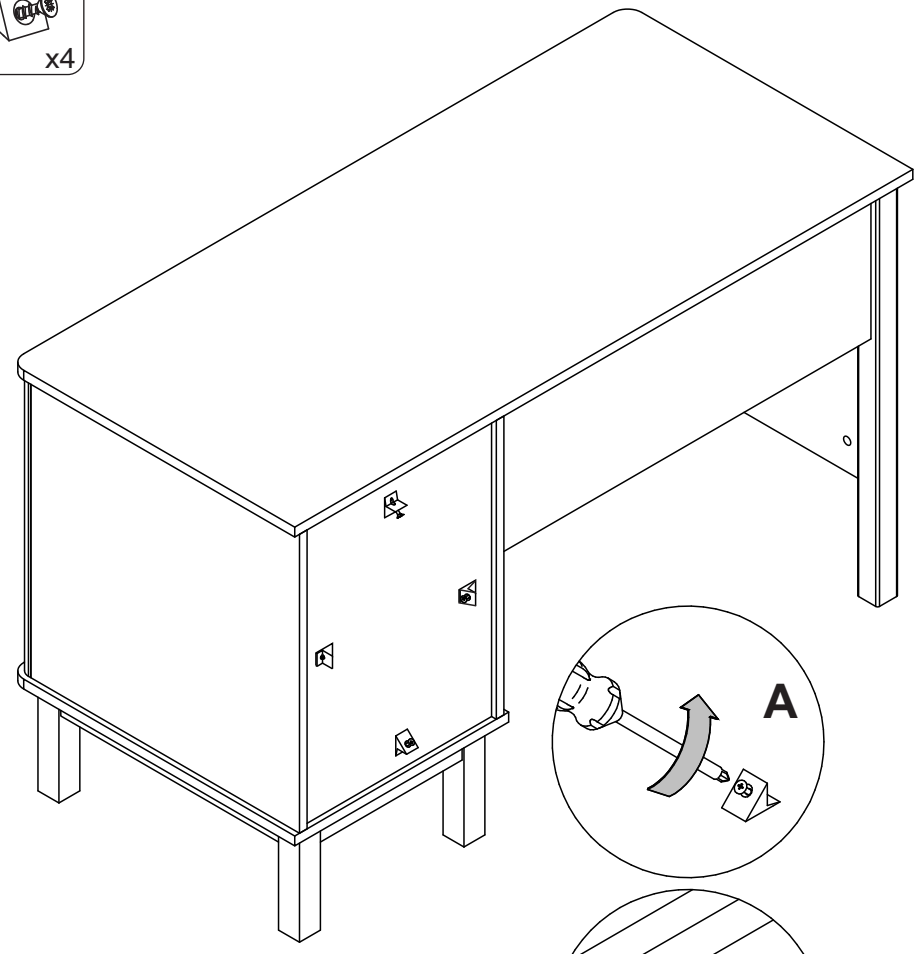
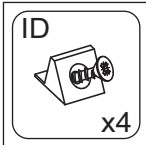
7



- A** 8x35
x7
- B** 34mm
x9
- C** 15x10
x9

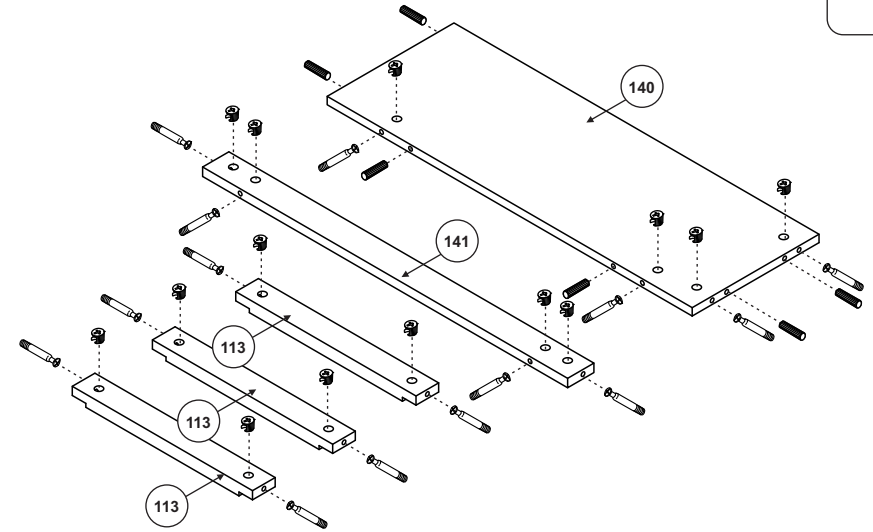
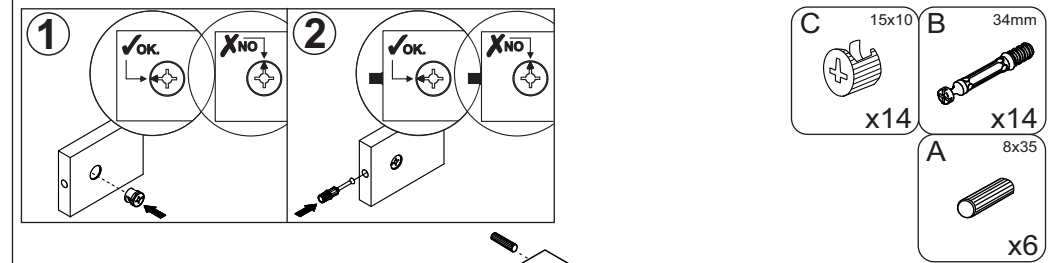
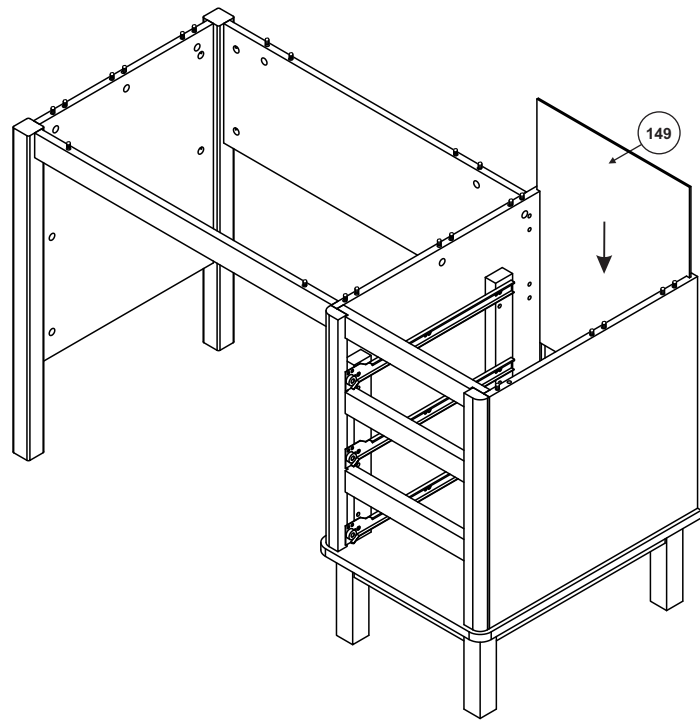


8



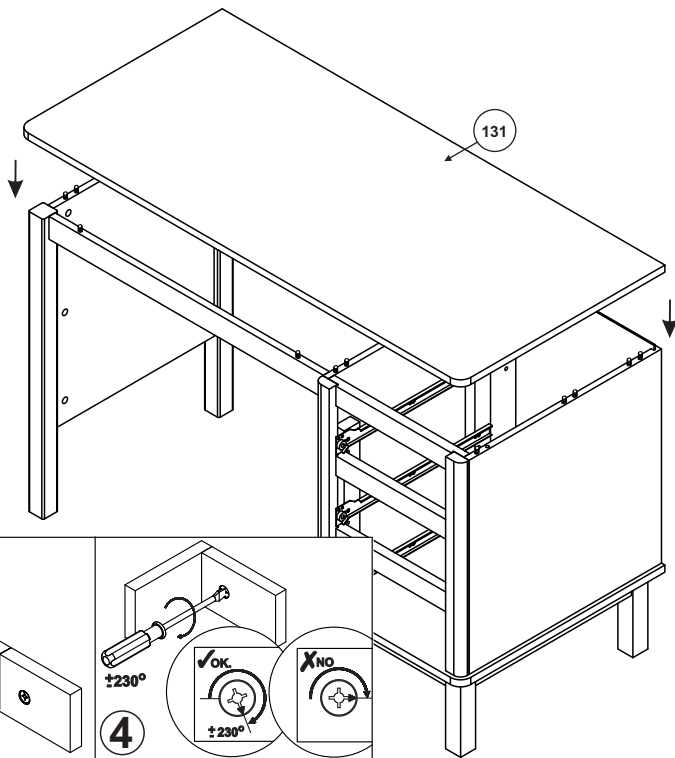
17

15

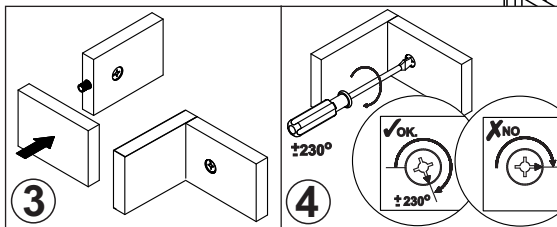
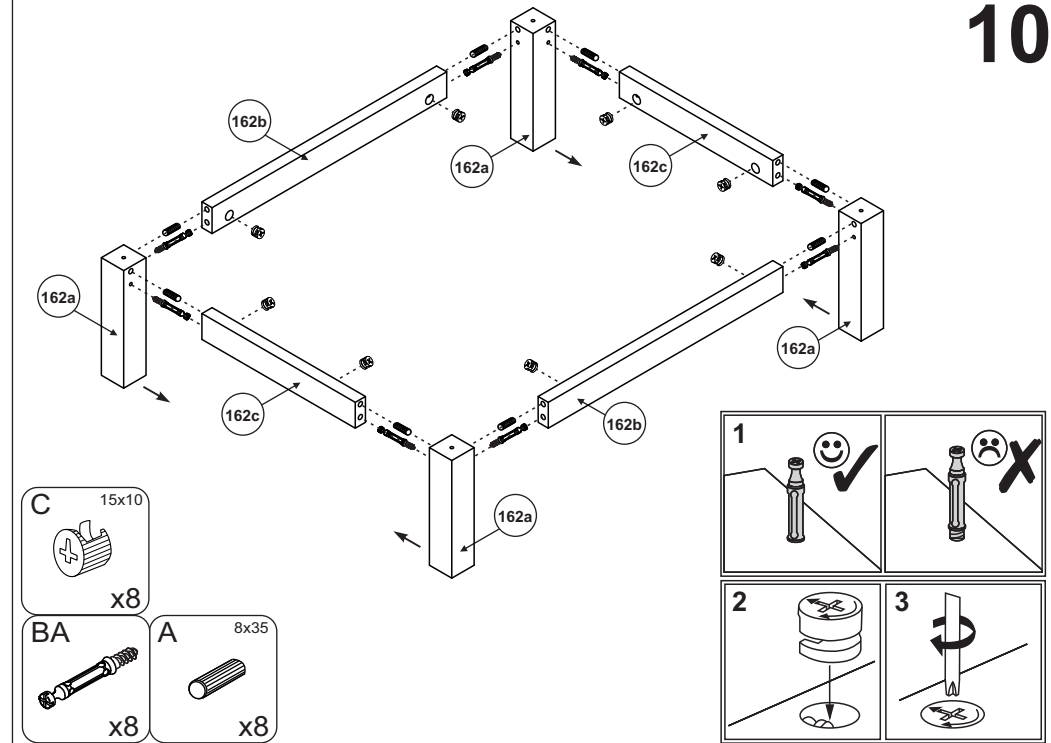


9

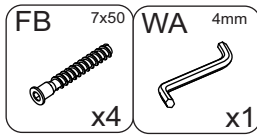
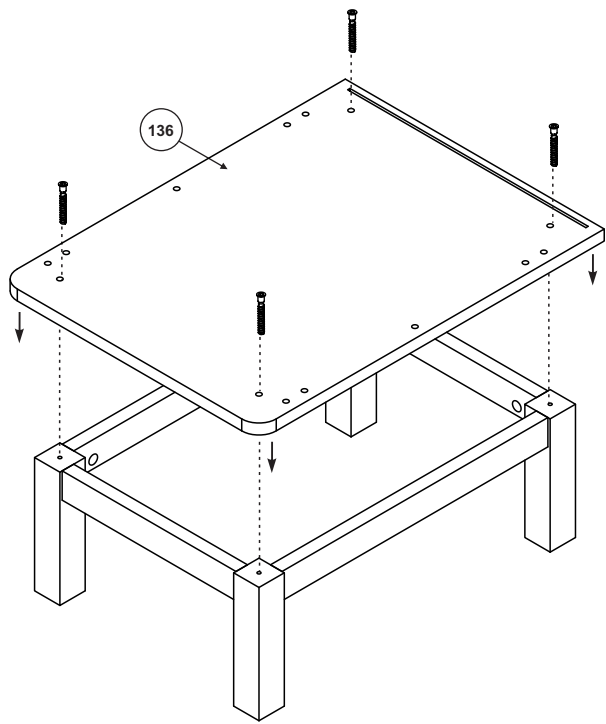
10



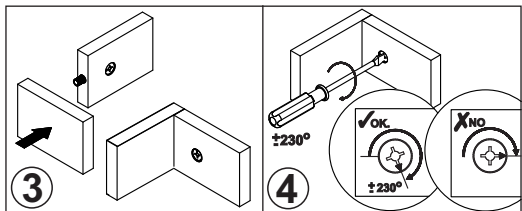
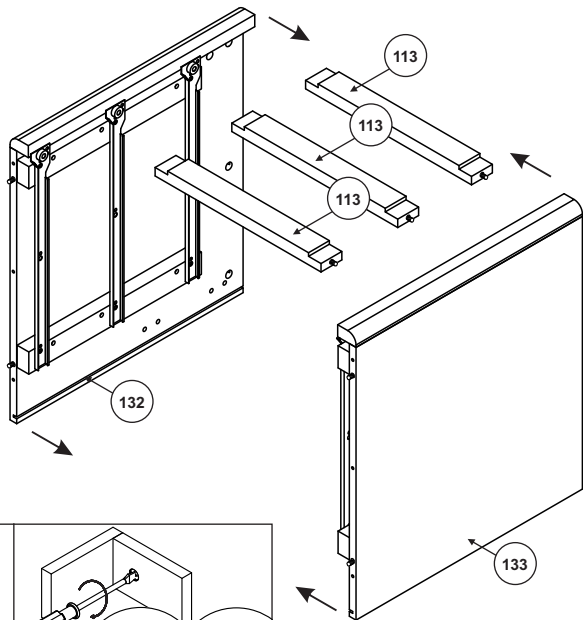
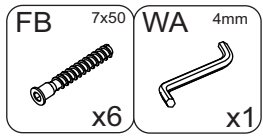
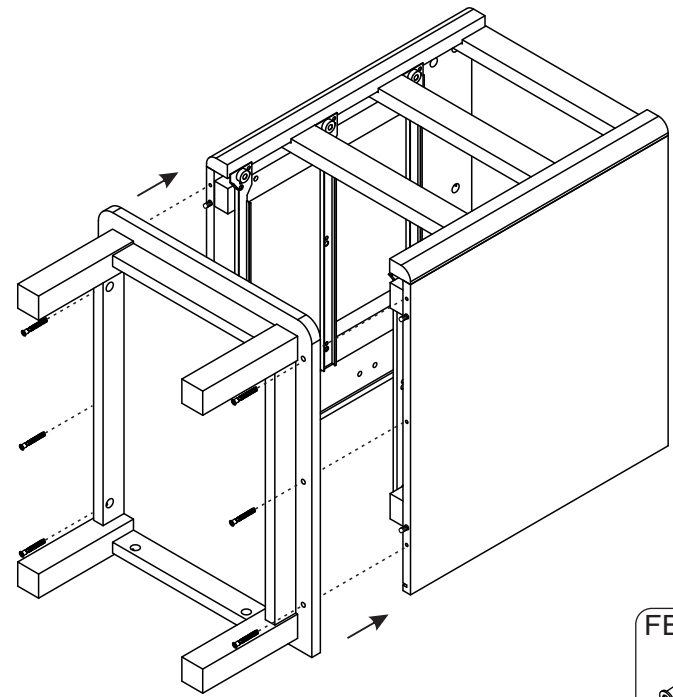
16



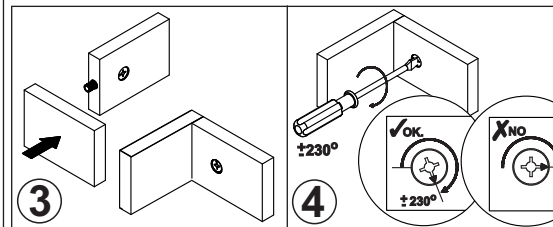
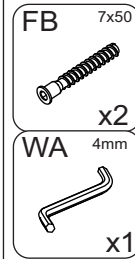
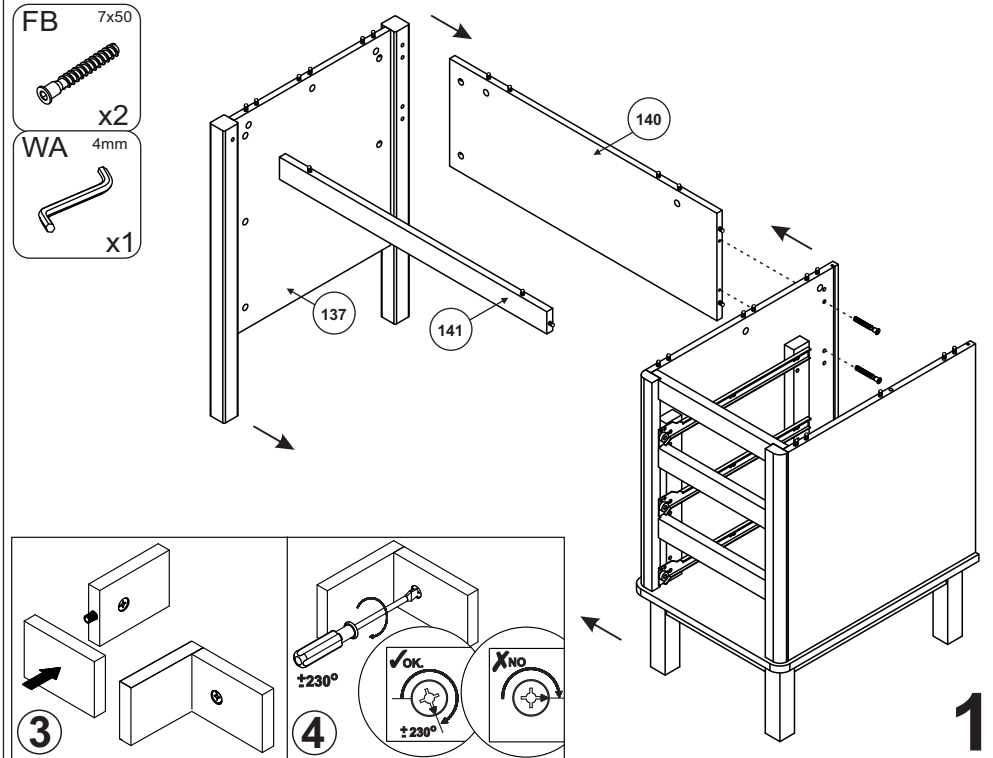
11



13



12



14