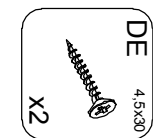
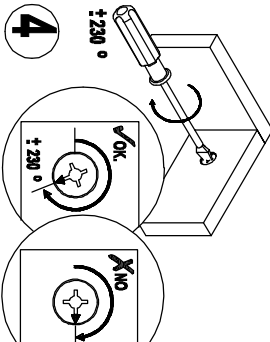
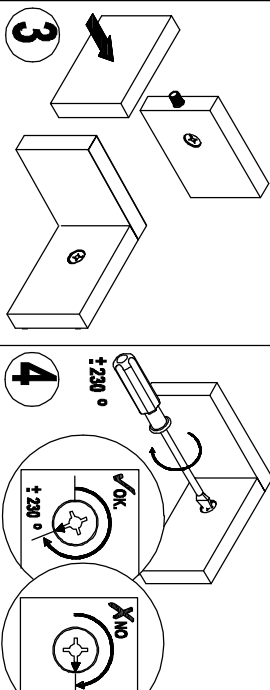
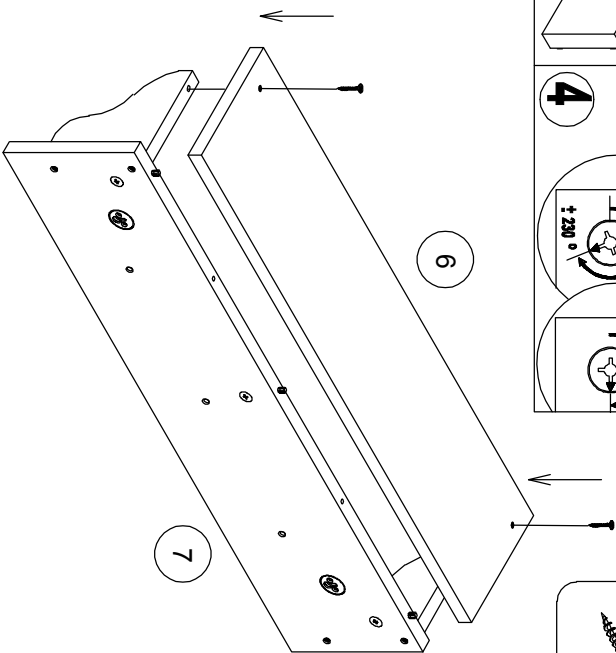


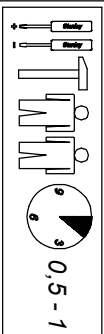
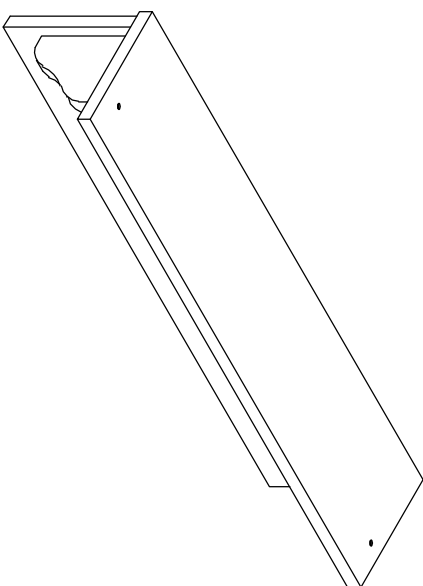
5



6



Instruction manual  
**Evi**  
 Shelf  
 11819611

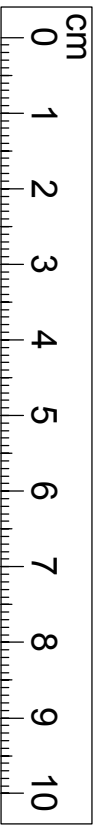
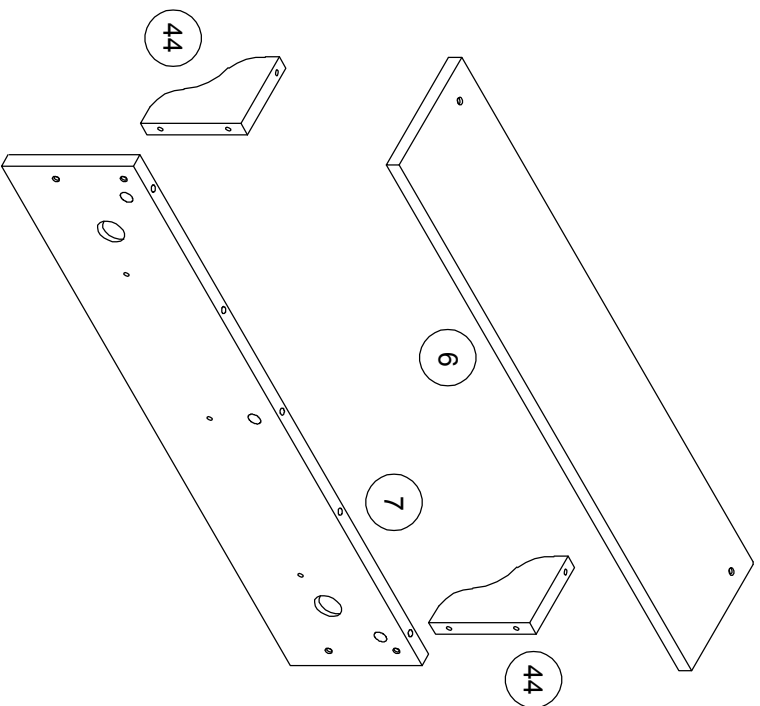


DISTRIBUTOR:  
**BOPITA**  
 Energieweg 1, 6662 NS Elst  
 The Netherlands  
[www.bopita.com](http://www.bopita.com)

08.02.2020.

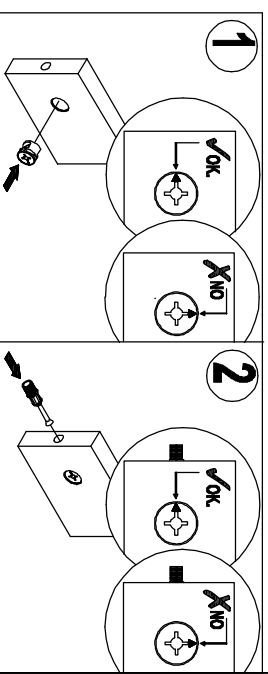
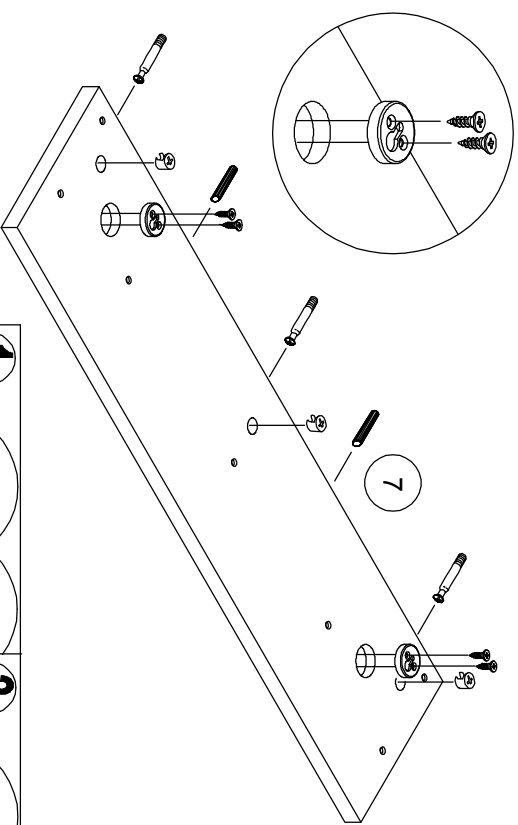
- A** 8x35 X2
- B** 8x50 X3
- C** M4x30 X3
- H** M4x25 X3
- J** 3.5x15 X4
- TB** X2
- O** X3

- DE** 4.5x30 X6

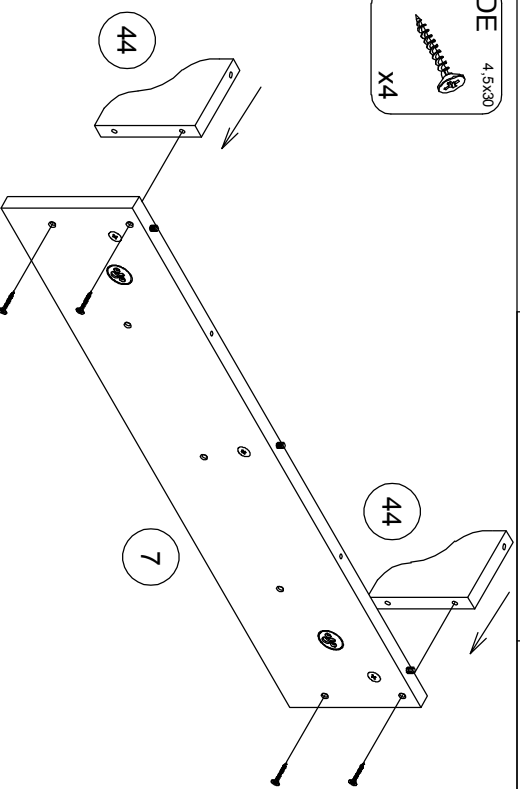


2

- A** 8x35 X2
- B** 8x50 X3
- C** M4x30 X3
- J** 3.5x15 X4
- TB** X2



- DE** 4.5x30 X4



3

4